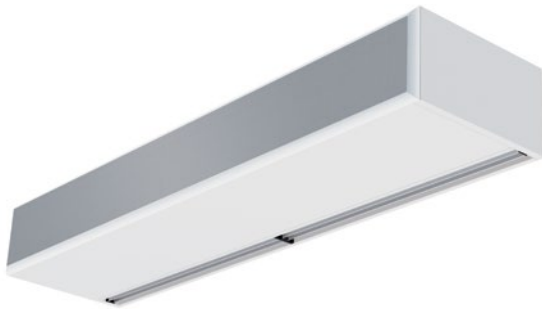




Technical Features



Maximum range
M : 3,5 m ECM : 3,8 m
G : 4 m ECG : 4,2 m



Airflow / Length
1660 - 7200 m³/h
1 m to 3 m



Fans
Centrifugal
5-speed



Heating types
E : electrical 3 stages
P : water
A : unheated
DX : heat pump [*]



Heating capacity
E : 3 - 30 kW
P : 8,5 - 40,3 kW



Control
Plug&Play Advanced PRO
+ IR remote control
(Optional Clever Control)



Casing **[**]**
Galvanised Steel



Grille type
Micro-perforated
with prefilter function



Outlet lamellas
Aluminium, airfoil type
Adjustable 0-15° each side

RAL 9016
standard



Other colors
on request



Stainless
steel



[*] Consult separate DX catalogs

[**] Customizable dimensions on request

WINDBOX air curtains range provide equipment suitable for all types of commercial entrances. A compact and robust air curtain from our standard range with a timeless design, ready for visible installation over the door and prepared for multiple false ceiling installation configurations.

This air curtain model works with double-inlet centrifugal fans driven by an external rotor motor with low noise level. EC models assembled with very low consumption efficiency fans.

Advanced Plug&Play control. Includes: Advanced PRO control with LCD display and integrated thermostat, door contact, 7m RJ11 cable and remote control. Optional: intelligent Clever PRO Control (automatic, programmable, modbus for PLC, timer, etc).

❄ UNHEATED

Model	Airflow	Ventilation power	Ventilation current	Noise level	Weight
	m³/h	230V~50Hz kW	230V~50Hz A	(5 m) dB(A)	
M 1000 A	1800	0,212	0,94	55	31
M 1500 A	2700	0,318	1,41	56	46
M 2000 A	3600	0,424	1,88	57	58
M 2500 A	4500	0,530	2,35	58	72
M 3000 A	5400	0,636	2,82	59	86
ECM 1000 A	1840	0,142	1,24	56	31
ECM 1500 A	2760	0,213	1,86	57	46
ECM 2000 A	3680	0,284	2,48	58	58
ECM 2500 A	4600	0,355	3,10	59	72
ECM 3000 A	5520	0,426	3,72	60	86
G 1000 A	2400	0,642	2,85	57	43
G 1500 A	3200	0,856	3,80	58	51
G 2000 A	4800	1,284	5,70	59	80
G 2500 A	5600	1,498	6,65	60	84
G 3000 A	6400	1,712	7,60	61	95
ECG 1000 A	2700	0,213	1,86	61	43
ECG 1500 A	3600	0,284	2,48	62	51
ECG 2000 A	5400	0,426	3,72	63	80
ECG 2500 A	6300	0,497	4,34	64	84
ECG 3000 A	7200	0,568	5,96	65	95



 ELECTRIC HEATED

Model	Airflow	Electrical heating capacity 400Vx3~50Hz (*)	Ventilation power 230V~50Hz	Ventilation current 230V~50Hz	Noise level (5 m)	Weight
	m ³ /h	kW	kW	A	dB(A)	
M 1000 E	1800	3/6/9	0,212	0,94	55	37
M 1500 E	2700	4/8/12	0,318	1,41	56	57
M 2000 E	3600	6/12/18	0,424	1,88	57	75
M 2500 E	4500	6/12/18	0,530	2,35	58	94
M 3000 E	5400	8/16/24	0,636	2,82	59	112
ECM 1000 E	1840	3/6/9	0,142	1,24	56	37
ECM 1500 E	2760	4/8/12	0,213	1,86	57	57
ECM 2000 E	3680	6/12/18	0,284	2,48	58	75
ECM 2500 E	4600	6/12/18	0,355	3,10	59	94
ECM 3000 E	5520	8/16/24	0,426	3,72	60	112
G 1000 E	2400	5/10/15	0,642	2,85	57	52
G 1500 E	3200	7,5/15/22,5	0,856	3,80	58	63
G 2000 E	4800	10/20/30	1,284	5,70	59	100
G 2500 E	5600	10/20/30	1,498	6,65	60	106
G 3000 E	6400	10/20/30	1,712	7,60	61	120
ECG 1000 E	2700	5/10/15	0,213	1,86	61	52
ECG 1500 E	3600	7,5/15/22,5	0,284	2,48	62	63
ECG 2000 E	5400	10/20/30	0,426	3,72	63	100
ECG 2500 E	6300	10/20/30	0,497	4,34	64	106
ECG 3000 E	7200	10/20/30	0,568	5,96	65	120

(*) Under request other electrical heating power can be limited.

 WATER HEATED

Model	Airflow m ³ /h	P86 (80/60°C)		P64 (60/40°C)		P54 (50/40°C)		Ventilation power 230V~50Hz kW	Ventilation current 230V~50Hz A	Noise level (5 m) dB(A)	Weight kg
		Water heating capacity	Water pressure drop	Water heating capacity	Water pressure drop	Water heating capacity	Water pressure drop				
		kW	Pa	kW	Pa	kW	Pa				
M 1000 P	1660	9,17	880	8,56	4370	8,52	1220	0,428	1,90	56	35
M 1500 P	2490	14,26	760	13,69	6460	14,34	4480	0,642	2,85	57	53
M 2000 P	3320	20,65	1930	18,26	4790	18,65	2060	0,856	3,80	58	69
M 2500 P	4150	26,92	3810	22,12	3850	24,32	4040	1,070	4,75	59	86
M 3000 P	4980	33,24	6590	28,37	6760	29,77	5660	1,280	5,70	60	103
ECM 1000 P	1720	9,38	920	8,77	4560	8,74	1280	0,142	1,24	56	35
ECM 1500 P	2580	14,58	790	14,02	6730	14,71	4690	0,213	1,86	57	53
ECM 2000 P	3440	21,12	2010	18,70	4990	19,13	2150	0,284	2,48	58	69
ECM 2500 P	4300	27,53	3960	23,33	4010	24,95	4230	0,355	3,10	59	86
ECM 3000 P	5160	33,99	6860	29,05	7050	30,54	5920	0,426	3,72	60	103
G 1000 P	2250	11,04	1230	10,42	6190	10,56	1790	0,642	2,85	57	50
G 1500 P	3000	16,02	940	15,47	8020	16,37	5670	0,856	3,80	58	59
G 2000 P	4500	24,92	2700	22,29	6810	23,15	3030	1,284	5,70	59	92
G 2500 P	5250	31,16	4930	26,61	5060	28,76	5450	1,498	6,65	60	96
G 3000 P	6000	37,35	8110	32,10	8410	34,03	7180	1,712	7,60	61	109
ECG 1000 P	2550	11,89	1400	11,27	7110	11,50	2090	0,213	1,86	61	50
ECG 1500 P	3400	17,29	1070	16,77	9240	17,86	6620	0,284	2,48	62	59
ECG 2000 P	5100	26,86	3080	24,14	7850	25,24	3530	0,426	3,72	63	92
ECG 2500 P	5950	33,63	5650	28,84	5840	31,38	6360	0,497	4,34	64	96
ECG 3000 P	6800	40,34	9290	34,81	9710	37,16	8400	0,568	5,96	65	109

Water heated: connection pipes P86 and P64 are 2x3/4" female (male if lateral pipes), P54 2x1" male.
P86 2 rows coil, P64 3 rows coil, P54 4 rows coil.

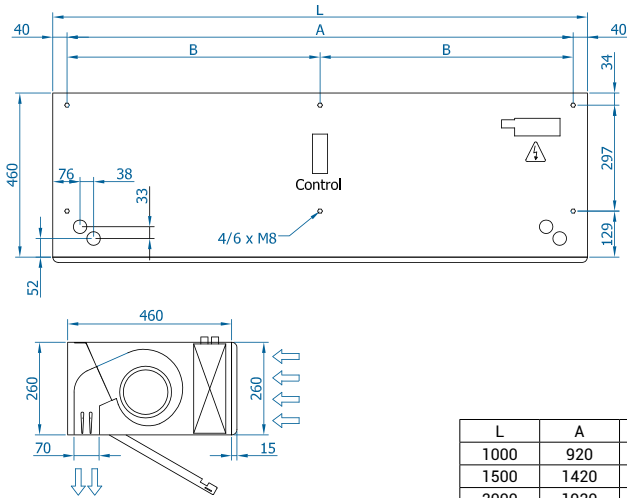


Selection program



Dimensions

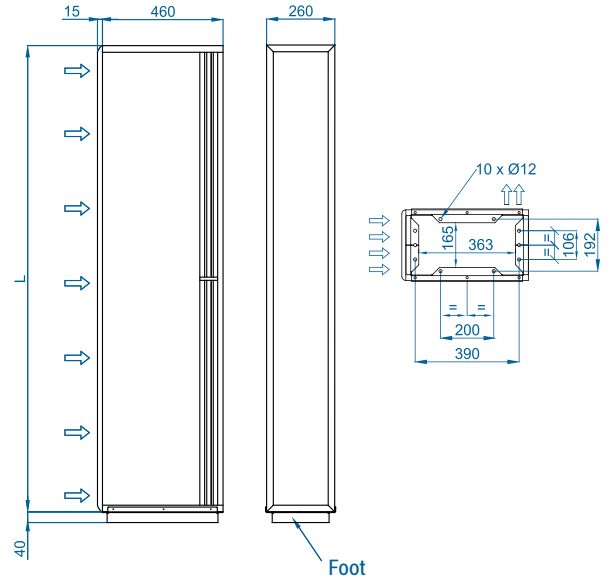
Horizontal installation



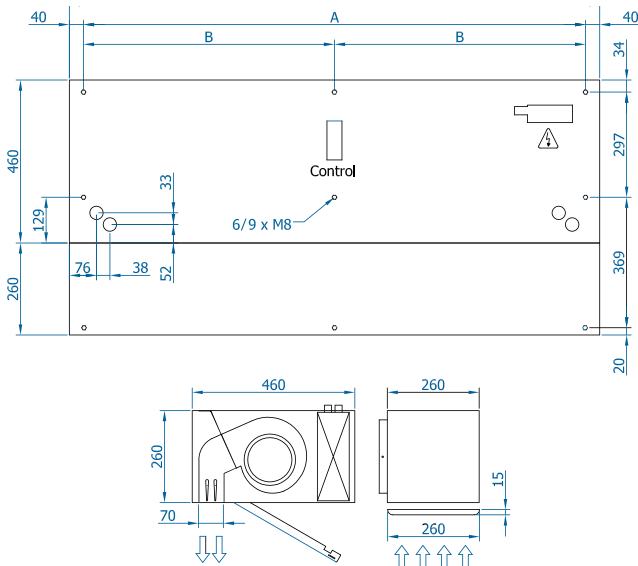
L	A	B
1000	920	-
1500	1420	710
2000	1920	960
2500	2420	1210
3000	2920	1460

Customizable dimensions on request.

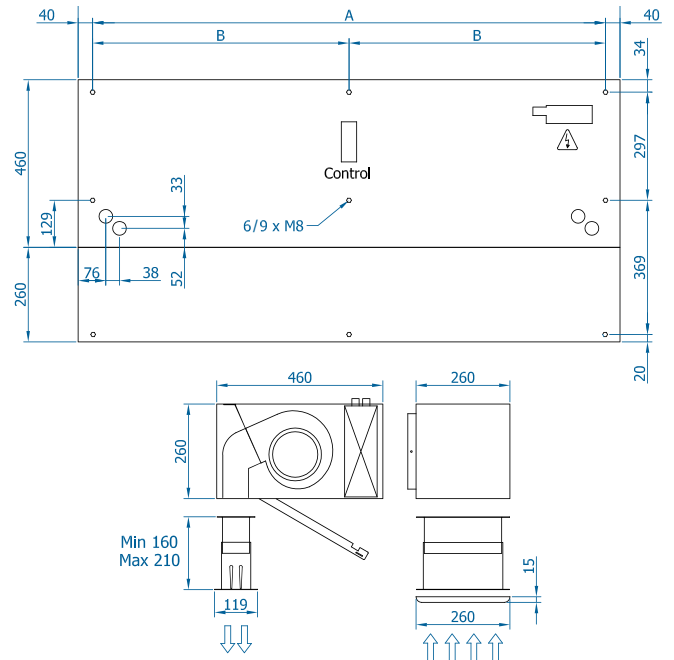
Vertical installation



Inside ceiling surface mounting



False ceiling invisible mounting

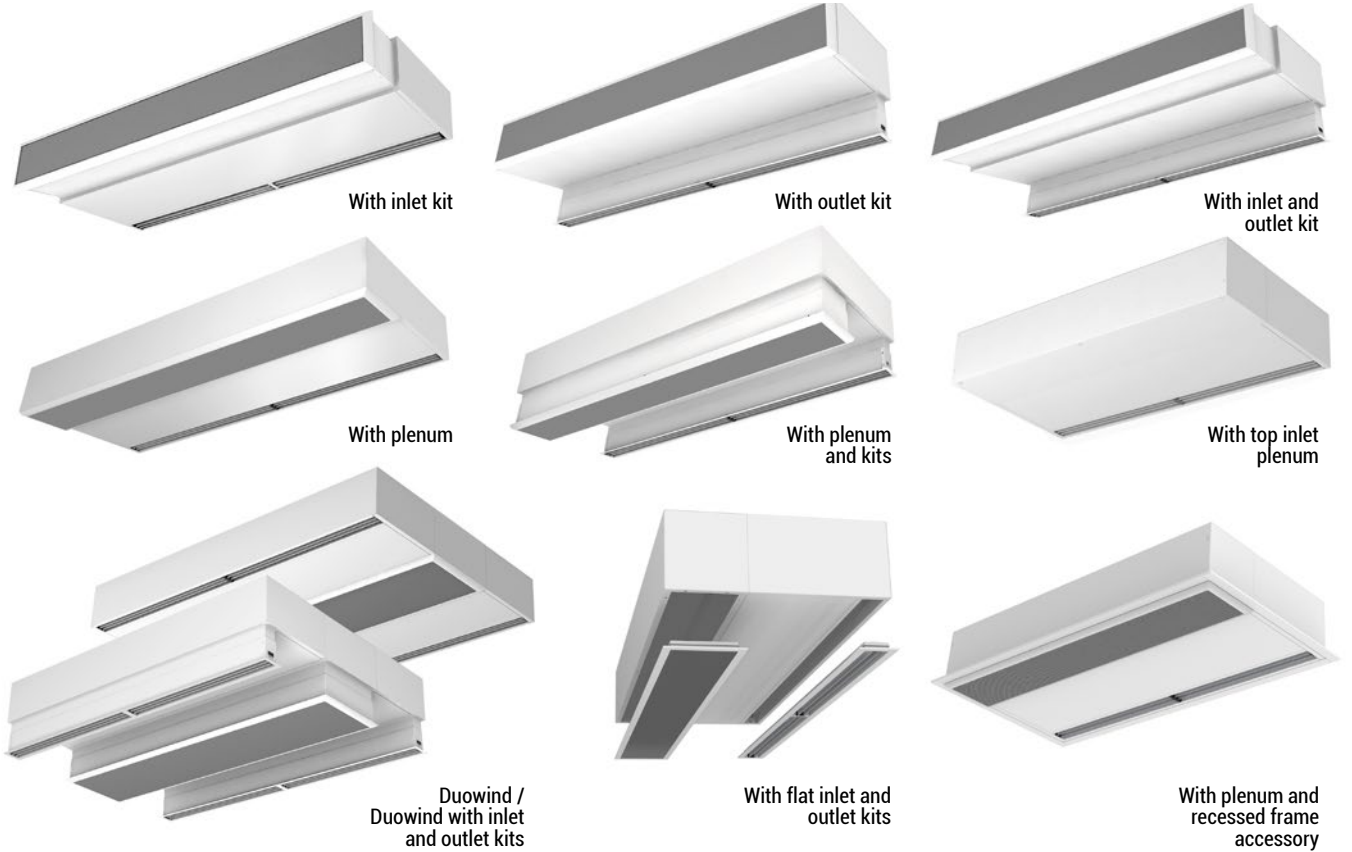


CAD drawings, BIM files, installation manuals and other documentation



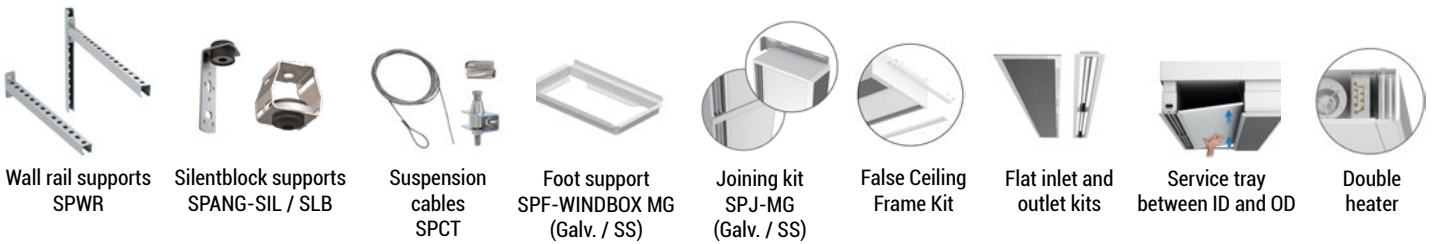


Installation Configurations

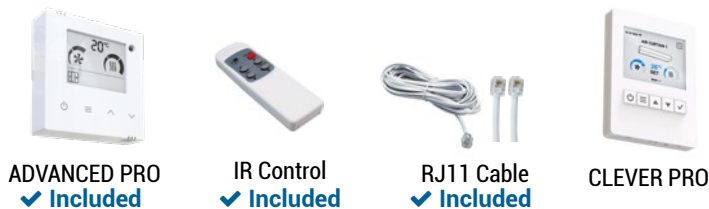


Optional accessories

Supports and installation



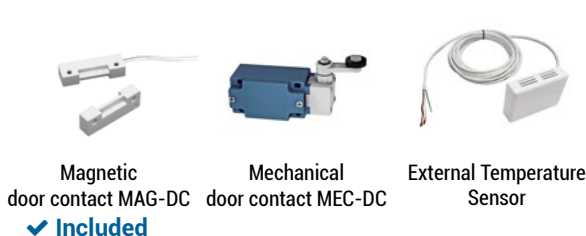
Control



Filters



Sensors and valves



Condensation

