



Technical Features



Maximum range
M : 3,5 m ECM : 3,8 m
G : 4 m ECG : 4,2 m



Airflow / Length
1660 - 7200 m³/h
1 m to 3 m



Fans
Centrifugal
5-speed



Heating types
E : electrical 3 stages
P : water
A : unheated
DX : heat pump [*]



Heating capacity
E : 3 - 30 kW
P : 8,5 - 40,3 kW



Control
Plug&Play Advanced PRO
+ IR remote control
(Optional Clever Control)



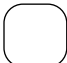


Casing []**
Galvanised Steel



Grille type
Circular perforated



Outlet lamellas
Aluminium, airfoil type
Adjustable 0-15° each side

RAL 9016 standard  Other colors on request  Stainless steel 

[*] Consult separate DX catalogs

[**] Customizable dimensions on request

DAM is an air curtain from the standard range that stands out for its versatility and the design of its front part. The classic suction grille has been efficiently replaced by a front panel that can be customised with logos, signage, graphics or images providing a modern and clean view of the equipment. The double air inlet areas are located behind the front panel avoiding intensive maintenance.

This air curtain model works with double-inlet centrifugal fans driven by an external rotor motor with low noise level. EC models assembled with very low consumption efficiency fans.

Advanced Plug&Play control. Includes: Advanced PRO control with LCD display and integrated thermostat, door contact, 7m RJ11 cable and remote control. Optional: intelligent Clever PRO Control (automatic, programmable, modbus for PLC, timer, etc).

❄ UNHEATED

| Model | Airflow m ³ /h | Ventilation power 230V-50Hz kW | Ventilation current 230V-50Hz A | Noise level (5 m) dB(A) | Weight kg |
|----------------|------------------------------|--------------------------------------|---------------------------------------|-------------------------------|--------------|
| DAM M 1000 A | 1800 | 0,212 | 0,94 | 55 | 38 |
| DAM M 1500 A | 2700 | 0,318 | 1,41 | 56 | 56 |
| DAM M 2000 A | 3600 | 0,424 | 1,88 | 57 | 70 |
| DAM M 2500 A | 4500 | 0,530 | 2,35 | 58 | 76 |
| DAM M 3000 A | 5400 | 0,636 | 2,82 | 59 | 88 |
| DAM ECM 1000 A | 1840 | 0,142 | 1,24 | 56 | 38 |
| DAM ECM 1500 A | 2760 | 0,213 | 1,86 | 57 | 56 |
| DAM ECM 2000 A | 3680 | 0,284 | 2,48 | 58 | 70 |
| DAM ECM 2500 A | 4600 | 0,355 | 3,10 | 59 | 76 |
| DAM ECM 3000 A | 5520 | 0,426 | 3,72 | 60 | 88 |
| DAM G 1000 A | 2400 | 0,642 | 2,85 | 57 | 42 |
| DAM G 1500 A | 3200 | 0,856 | 3,80 | 58 | 61 |
| DAM G 2000 A | 4800 | 1,284 | 5,70 | 59 | 80 |
| DAM G 2500 A | 5600 | 1,498 | 6,65 | 60 | 86 |
| DAM G 3000 A | 6400 | 1,712 | 7,60 | 61 | 98 |
| DAM ECG 1000 A | 2700 | 0,213 | 1,86 | 61 | 42 |
| DAM ECG 1500 A | 3600 | 0,284 | 2,48 | 62 | 61 |
| DAM ECG 2000 A | 5400 | 0,426 | 3,72 | 63 | 80 |
| DAM ECG 2500 A | 6300 | 0,497 | 4,34 | 64 | 86 |
| DAM ECG 3000 A | 7200 | 0,568 | 5,96 | 65 | 98 |



ELECTRIC HEATED

| Model | Airflow | Electrical heating capacity 400Vx3~50Hz (*) | Ventilation power 230V~50Hz | Ventilation current 230V~50Hz | Noise level (5 m) | Weight |
|----------------|---------|--|--------------------------------|----------------------------------|----------------------|--------|
| | m³/h | kW | kW | A | dB(A) | kg |
| DAM M 1000 E | 1800 | 3/6/9 | 0,212 | 0,94 | 55 | 45 |
| DAM M 1500 E | 2700 | 4/8/12 | 0,318 | 1,41 | 56 | 68 |
| DAM M 2000 E | 3600 | 6/12/18 | 0,424 | 1,88 | 57 | 88 |
| DAM M 2500 E | 4500 | 6/12/18 | 0,530 | 2,35 | 58 | 96 |
| DAM M 3000 E | 5400 | 8/16/24 | 0,636 | 2,82 | 59 | 111 |
| DAM ECM 1000 E | 1840 | 3/6/9 | 0,142 | 1,24 | 56 | 45 |
| DAM ECM 1500 E | 2760 | 4/8/12 | 0,213 | 1,86 | 57 | 68 |
| DAM ECM 2000 E | 3680 | 6/12/18 | 0,284 | 2,48 | 58 | 88 |
| DAM ECM 2500 E | 4600 | 6/12/18 | 0,355 | 3,10 | 59 | 96 |
| DAM ECM 3000 E | 5520 | 8/16/24 | 0,426 | 3,72 | 60 | 111 |
| DAM G 1000 E | 2400 | 5/10/15 | 0,642 | 2,85 | 57 | 50 |
| DAM G 1500 E | 3200 | 7,5/15/22,5 | 0,856 | 3,80 | 58 | 74 |
| DAM G 2000 E | 4800 | 10/20/30 | 1,284 | 5,70 | 59 | 98 |
| DAM G 2500 E | 5600 | 10/20/30 | 1,498 | 6,65 | 60 | 106 |
| DAM G 3000 E | 6400 | 10/20/30 | 1,712 | 7,60 | 61 | 121 |
| DAM ECG 1000 E | 2700 | 5/10/15 | 0,213 | 1,86 | 61 | 50 |
| DAM ECG 1500 E | 3600 | 7,5/15/22,5 | 0,284 | 2,48 | 62 | 74 |
| DAM ECG 2000 E | 5400 | 10/20/30 | 0,426 | 3,72 | 63 | 98 |
| DAM ECG 2500 E | 6300 | 10/20/30 | 0,497 | 4,34 | 64 | 106 |
| DAM ECG 3000 E | 7200 | 10/20/30 | 0,568 | 5,96 | 65 | 121 |

(*) Under request other electrical heating power can be limited.

WATER HEATED

| Model | Airflow | P86 (80/60°C) | | P64 (60/40°C) | | P54 (50/40°C) | | Ventilation power 230V~50Hz | Ventilation current 230V~50Hz | Noise level (5 m) | Weight |
|----------------|---------|------------------------|---------------------|------------------------|---------------------|------------------------|---------------------|--------------------------------|----------------------------------|----------------------|--------|
| | | Water heating capacity | Water pressure drop | Water heating capacity | Water pressure drop | Water heating capacity | Water pressure drop | | | | |
| | | kW | Pa | kW | Pa | kW | Pa | | | | |
| DAM M 1000 P | 1660 | 9,17 | 880 | 8,56 | 4370 | 8,52 | 1220 | 0,428 | 1,90 | 56 | 43 |
| DAM M 1500 P | 2490 | 14,26 | 760 | 13,69 | 6460 | 14,34 | 4480 | 0,642 | 2,85 | 57 | 64 |
| DAM M 2000 P | 3320 | 20,65 | 1930 | 18,26 | 4790 | 18,65 | 2060 | 0,856 | 3,80 | 58 | 81 |
| DAM M 2500 P | 4150 | 26,92 | 3810 | 22,12 | 3850 | 24,32 | 4040 | 1,070 | 4,75 | 59 | 89 |
| DAM M 3000 P | 4980 | 33,24 | 6590 | 28,37 | 6760 | 29,77 | 5660 | 1,280 | 5,70 | 60 | 103 |
| DAM ECM 1000 P | 1720 | 9,38 | 920 | 8,77 | 4560 | 8,74 | 1280 | 0,142 | 1,24 | 56 | 43 |
| DAM ECM 1500 P | 2580 | 14,58 | 790 | 14,02 | 6730 | 14,71 | 4690 | 0,213 | 1,86 | 57 | 64 |
| DAM ECM 2000 P | 3440 | 21,12 | 2010 | 18,70 | 4990 | 19,13 | 2150 | 0,284 | 2,48 | 58 | 81 |
| DAM ECM 2500 P | 4300 | 27,53 | 3960 | 23,33 | 4010 | 24,95 | 4230 | 0,355 | 3,10 | 59 | 89 |
| DAM ECM 3000 P | 5160 | 33,99 | 6860 | 29,05 | 7050 | 30,54 | 5920 | 0,426 | 3,72 | 60 | 103 |
| DAM G 1000 P | 2250 | 11,04 | 1230 | 10,42 | 6190 | 10,56 | 1790 | 0,642 | 2,85 | 57 | 48 |
| DAM G 1500 P | 3000 | 16,02 | 940 | 15,47 | 8020 | 16,37 | 5670 | 0,856 | 3,80 | 58 | 70 |
| DAM G 2000 P | 4500 | 24,92 | 2700 | 22,29 | 6810 | 23,15 | 3030 | 1,284 | 5,70 | 59 | 91 |
| DAM G 2500 P | 5250 | 31,16 | 4930 | 26,61 | 5060 | 28,76 | 5450 | 1,498 | 6,65 | 60 | 97 |
| DAM G 3000 P | 6000 | 37,35 | 8110 | 32,10 | 8410 | 34,03 | 7180 | 1,712 | 7,60 | 61 | 111 |
| DAM ECG 1000 P | 2550 | 11,89 | 1400 | 11,27 | 7110 | 11,50 | 2090 | 0,213 | 1,86 | 61 | 48 |
| DAM ECG 1500 P | 3400 | 17,29 | 1070 | 16,77 | 9240 | 17,86 | 6620 | 0,284 | 2,48 | 62 | 70 |
| DAM ECG 2000 P | 5100 | 26,86 | 3080 | 24,14 | 7850 | 25,24 | 3530 | 0,426 | 3,72 | 63 | 91 |
| DAM ECG 2500 P | 5950 | 33,63 | 5650 | 28,84 | 5840 | 31,38 | 6360 | 0,497 | 4,34 | 64 | 97 |
| DAM ECG 3000 P | 6800 | 40,34 | 9290 | 34,81 | 9710 | 37,16 | 8400 | 0,568 | 5,96 | 65 | 111 |

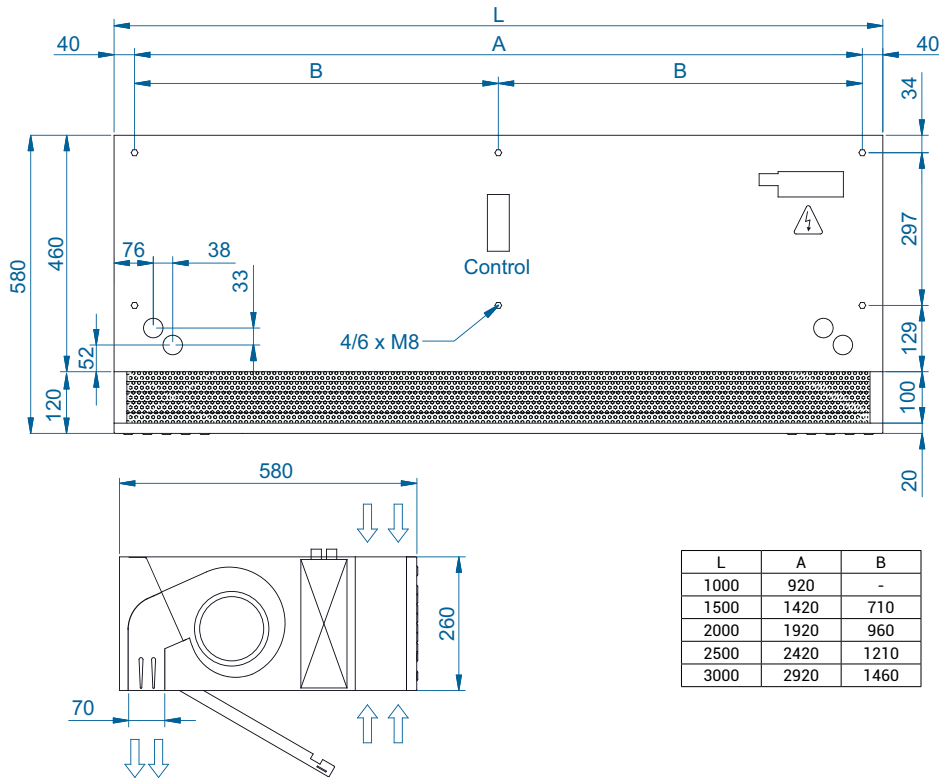
Water heated: connection pipes P86 and P64 are 2x3/4" female (male if lateral pipes), P54 2x1" male.
P86 2 rows coil, P64 3 rows coil, P54 4 rows coil.



Selection program

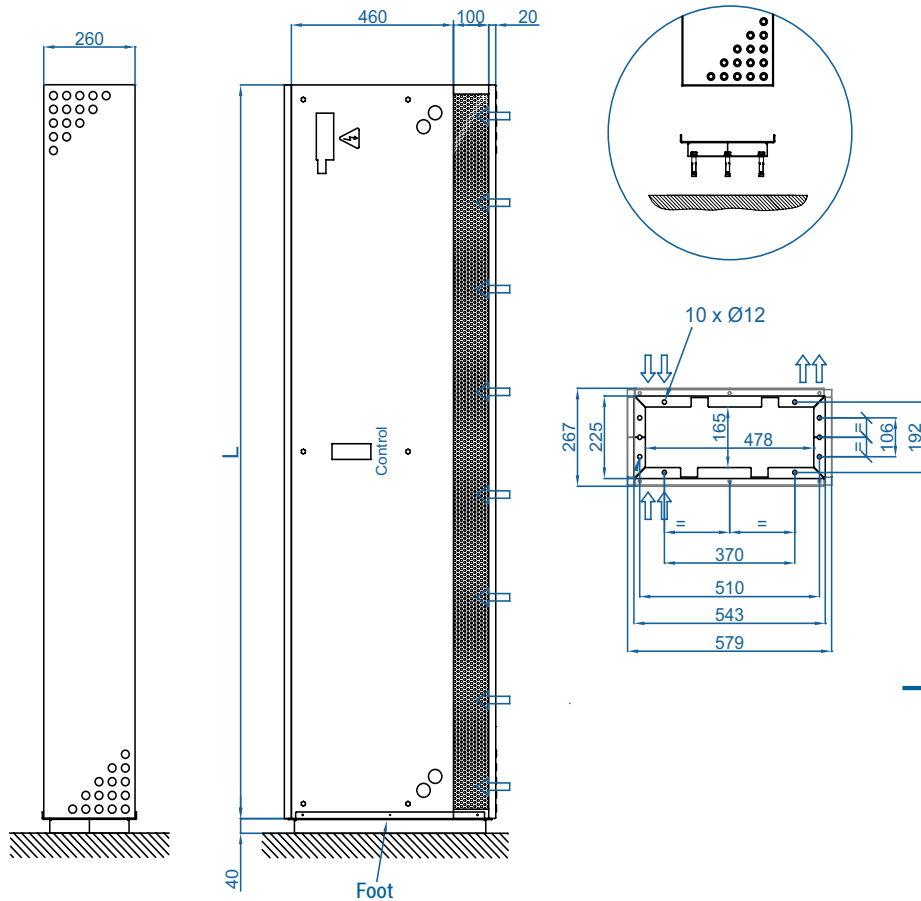
Dimensions

Horizontal installation



Customizable dimensions on request.

Vertical installation



CAD drawings, BIM files, installation manuals and other documentation

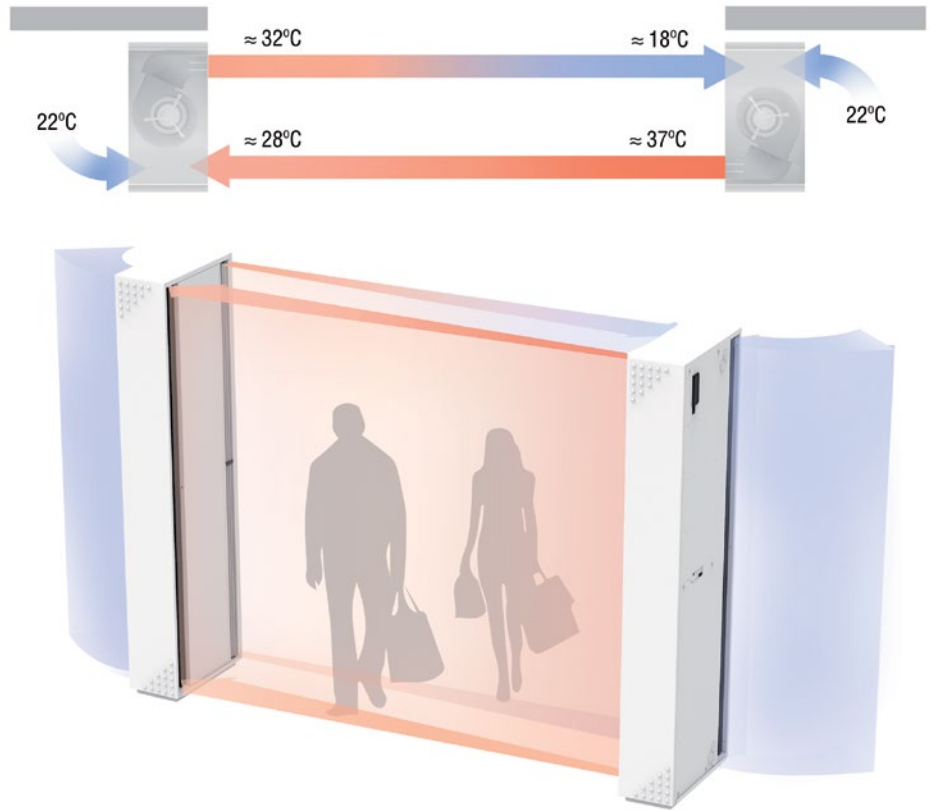


Dam Twin application

DAM TWIN system is an optimal solution for installations with very adverse conditions.

The system consists on two vertical DAM air curtains face to face, one with the air jet ahead and the other behind.

At the end of each jet there is the inlet of the other air curtain helping to close the air barrier. This double jet works as a closed circuit creating a separation zone at the door entrance.



WATCH VIDEO

Optional accessories

Supports and installation



Wall rail supports
SPWR



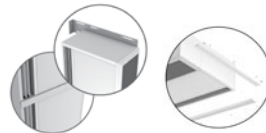
Silentblock supports
SPANG-SIL / SLB



Suspension
cables
SPCT



Foot support
SPF-DAM
(Galv. / SS)



Joining kit
SPJ-MG
(Galv. / SS)



False Ceiling
Frame Kit

Control



ADVANCED PRO
✓ Included



IR Control
✓ Included



RJ11 Cable
✓ Included



CLEVER PRO

Filters



Removable
prefilter G2

Sensors and valves



Magnetic
door contact MAG-DC
✓ Included



Mechanical
door contact MEC-DC



External Temperature
Sensor



Solenoid valve
V-S



Valve 3 ways
V-T



Proportional valve
V-ACT



Anti-freezing sensor
AFS-INS

Condensation



Condensation tray